

1. Attach footplates to all uprights using M6x60 nuts and bolts.

2. **Installing the bracing - see the Bracing Diagram on p2.** Connect two uprights with horizontal brace, starting on the 3rd hole from the bottom of the upright, using M6 socket screws and nuts. See Bracing Diagram on page 2 for correct bracing matching the actual height of your shelving.

3. Clip the front and back beams into the face of the uprights at desired heights. First beam level should be positioned no more than 1000mm from the floor! **Safety pins should be inserted into each end of every beam to eliminate the beam accidentally being knocked out!**

4. Insert the beam ties into the holes in the centre of the underside of the beams.

5. When all beams are fitted and the bays are square and level, the metal shelf panels can be placed in the step down of the beams.

Tools Required

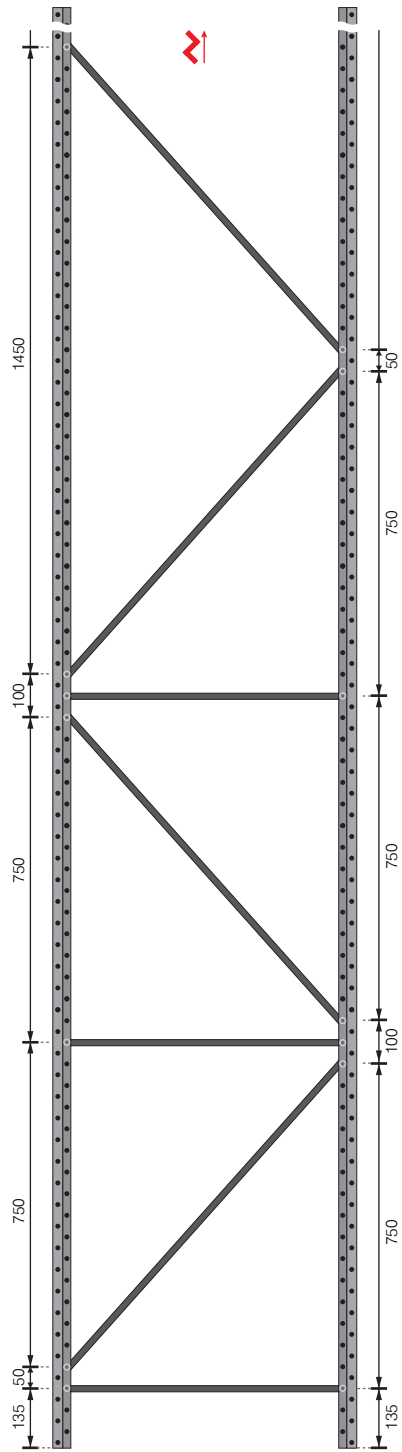
Mallet, 5mm Allen Key, 2x 10mm Spanners

Safety Precaution

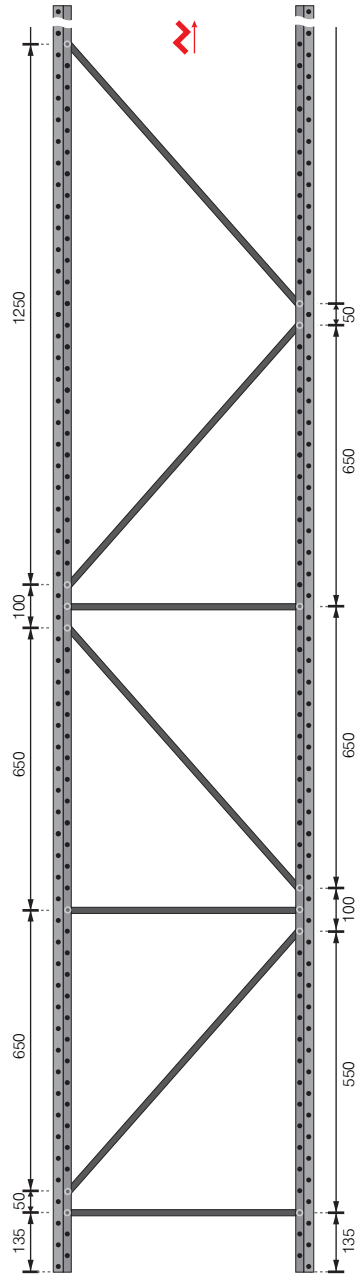
Two competent people wearing **safety gloves**, **safety shoes** and **protective eyewear** are recommended to undertake the assembly.



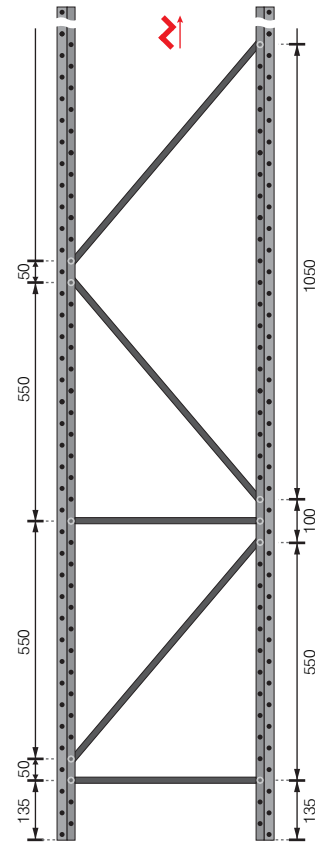
scan for more info



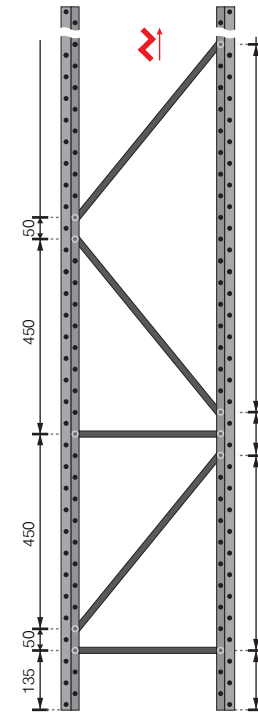
Frame depths 700 - 800 - 1000 - 1200mm



Frame depth 600mm



Frame depth 500mm



Frame depth 400mm

Midspan Bracing Count per Frame														
Height (mm)	Frame depths													
	400		500		600		700		800		1000		1200	
	HZ	DG	HZ	DG	HZ	DG	HZ	DG	HZ	DG	HZ	DG	HZ	DG
1950	3	3	3	3	3	2	3	2	3	2	3	2	3	2
2550	3	5	3	4	4	3	4	2	4	2	4	2	4	2
3000	3	6	4*	4	4	4	4	3	4	3	4	3	4	3
3450	3	7	4*	5	5*	4	4	4	4	4	4	4	4	4
4050	3	8	4*	6	5*	5	5*	4	5*	4	5*	4	5*	4
4500	3	9	4*	7	4	6	4	5	4	5	4	5	4	5
4950	3	10	3	8	4	7	4	6	4	6	4	6	4	6
5550	3	11	3	9	4	8	5*	6	5*	6	5*	6	5*	6
6000	3	12	3	10	5*	8	4	7	4	7	4	7	4	7

★ -Top of the frame is finished with 2 horizontal braces

HZ - Number of **horizontal** braces

DG - Number of **diagonal** braces

Frame Loading Capacities		
Distance between levels (mm)	Kgs per frame	
	M70	M50
350	8750	4300
400	8750	4300
500	8700	4250
600	8500	4050
700	8200	3700
800	7900	3400
900	7550	3050
1000	7200	2550
1100	6850	-
1200	6500	-
1300	6150	-
1400	5800	-

Please follow the correct frame depth diagram for the positioning of bracing.

Each diagram shows the positioning of the lower part of the frame bracing. Then continue with Diagonal Bracing along the entire frame height. Number and type of braces per frame (Height/Depth) required is set in the table above.

All frames are finished with one horizontal brace at the top!

Top of the frame finished with single horizontal brace



Except where indicated ★, which have two horizontal braces - one fitted directly above the last diagonal brace and the other in the 2nd hole from the top.

★ Top of the frame finished with two horizontal braces

